

# Instruction Manual for secure safe cabinet ZS01 / ZS02 / ZS03

Lock: Wittkopp, Primor (Factory Mastercode: 1 2 3 4 5 6)

- Read through the operating instructions carefully before using the secure safe cabinet.
- Always and only program the lock when the door is opened.
- ! Warning, never forget your code, otherwise the lock will become unusable!

## Scope of delivery

1x secure safe cabinet S2, 1x shelf (2x for ZS03) + 4x hooks (8x for ZS03), 1x 9V battery, 2x dowels with bolts + 2x caps, 1x instruction manual DE / EN

## First-Installation / battery change

1. Insert the 9V battery, open the battery compartment by pulling the keyboard forward and connect the battery to its socket. Close the keyboard again.



## To open the secure safe cabinet

1. Enter your 6-digit code.  
(Factory Mastercode 1 2 3 4 5 6).
2. Turn the keyboard in a clockwise direction within 3 seconds into opening position.
3. Turn the door handle clockwise, open the secure safe cabinet.

## To close secure safe cabinet

1. Close the door with the locking bolts retracted. Push the door as far as it will go.
2. To lock the door on the secure safe cabinet, turn the door handle anti-clockwise to the "closed" position.
3. Rotate the keyboard unit anti-clockwise to the "closed" position.
4. After each closure, check that secure safe cabinet is closed.

## Changing the master or user code

1. Press and hold the key "0" until the red LEDs flash permanently.
2. Enter your old 6-digit code.
3. Enter your new 6-digit code.
4. Re-enter your new 6-digit code.

## Programming the user code

The master is able to program the user code, but not vice versa.

1. Press and hold the key "1" until the red LEDs flash permanently.
2. Enter your 6-digit master code.
3. Enter the new 6-digit user code.
4. Re-enter the new 6-digit user code.

## Detailed lock instructions can be downloaded from the lock manufacturer's website

[www.carl-wittkopp.com](http://www.carl-wittkopp.com).

## Notes on safety



Risk of crushing when opening and closing between the door and secure safe cabinet.

- Due to security reasons change the factory code 1 2 3 4 5 6 immediately.
- For your new code, do not use any personal data like birthdays or any other data, which could be known by knowledge of your person.
- Simple codes that can be guessed easily i.e., 1 2 3 4 5 6 must not be used.
- Your code must be secret.
- Don't write down your code.
- Don't save your code on your PC, a DVD, a USB-stick or your mobile.
- Change your code frequently for example every three months.
- After entering the new code, the electronic lock should be opened and locked several times with the secure safe cabinet door opened.
- After each locking doublecheck if the secure safe cabinet is closed.

## Note for disposal

Material used in secure safe cabinet can be recycled after disposal of safe in normal ways and do not create any adverse effect on environment in normal use or if disposed.

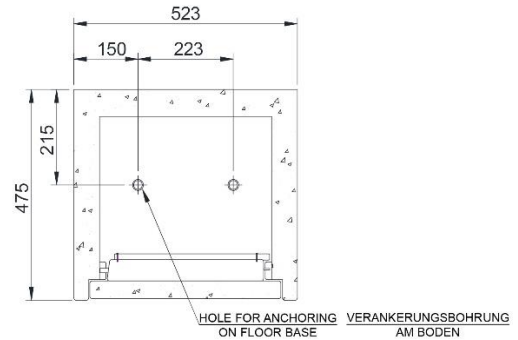
### Validity of certification

The secure safe cabinet must be anchored with two bolts as per obligatory requirement of the EN:14450 to the floor base.

“If the secure safe cabinet is not anchored as per instructions, damaged by fire or attempted break-in or intrusion attempt or for any incorrect use / function as well any modification in the secure safe cabinet, the certification label becomes invalid.”

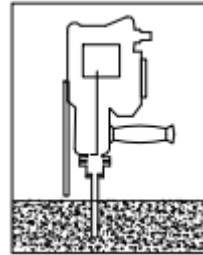
### Anchoring

1. Mark the position for a hole on the floor refer sectional plan.

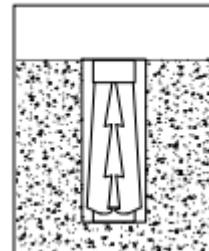


**Important Note: Use only Concrete of Minimum M30 grade of Compressive strength up to 30 MPa (4,350 psi)**

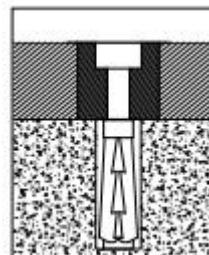
2. Drill two Holes D=14 mm, depth=45 mm.



3. Remove the dust to clean the drilled holes and place an anchor socket (without bolt) in the holes.



4. Place the secure safe cabinet and align the hole / socket with anchor bush center.



5. Put the anchor bolt with washer and tighten down until firm, max. 10Nm.
6. Place and press fit the plastic plug on all four holes to cover the bolt head & bush hole.

-----  
If you have any questions about your product, please contact the dealer.